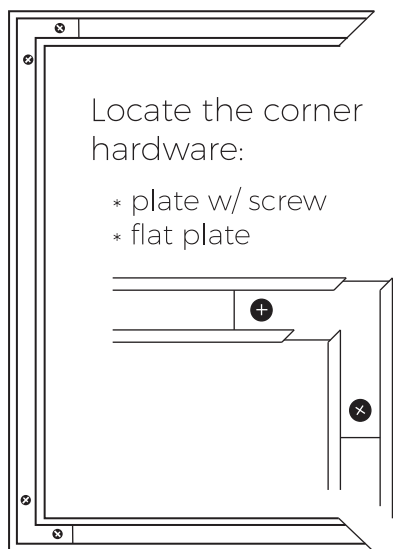


FIT METAL FRAMES

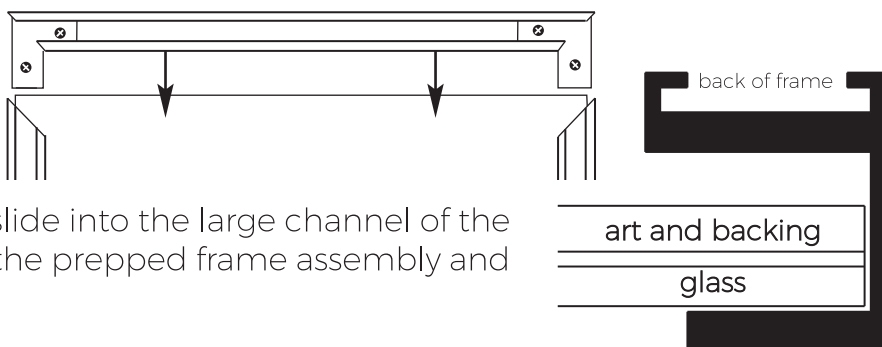
How to assemble a frame project into a metal sectional frame.

Step 1: Lay Out & Prep Frame



Open metal frame package (all needed hardware is included) & lay out your frame pieces upside-down (with hardware channel facing up).

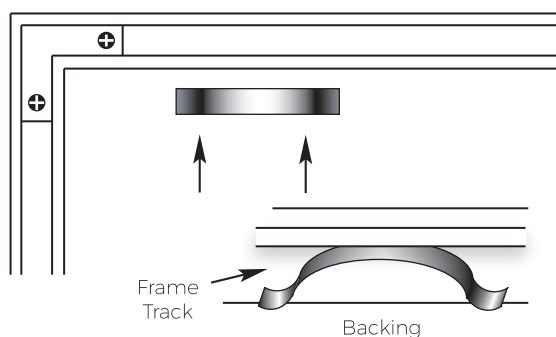
Insert corner hardware--flat plate on bottom, plate with screws on top with screw slots face up--into the back track to assemble 3 sides. It's best to start with 2 of the shorter sides of the frame and 1 of the longer. When corners align, tighten the screws with a **screw driver**. Assembled prepped frame should then have 3 sides and be open on 4th side.



Step 2: Set Artwork

Place all artwork layers together & slide into the large channel of the frame. Slide last side of frame into the prepped frame assembly and tighten corners.

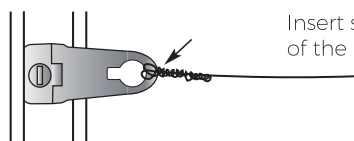
Step 3: Close Up Frame



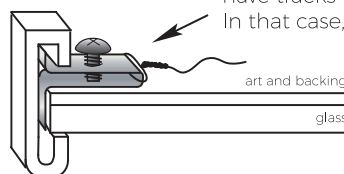
Insert the spring clips between the track and the backing. Insert as many clips as needed on all sides of the frame.

If you need to reopen the frame, remove spring clips before unscrewing corner hardware.

METAL FRAME HANGERS



Insert screw-in ("euro hangers") into the back track of the frame on both sides. Adjust hangers to 1/3 of the way from the top, tighten screws.



Some metal frames do not have tracks on the back. In that case, use "wire adaptors".

Insert hanger, screwhead-side up, into the grooves of the frame. Tighten screw until hardware is secure.

Visit us online for how to videos & more @
www.CheapPetes.com

CP PHOTOS
& FRAMES