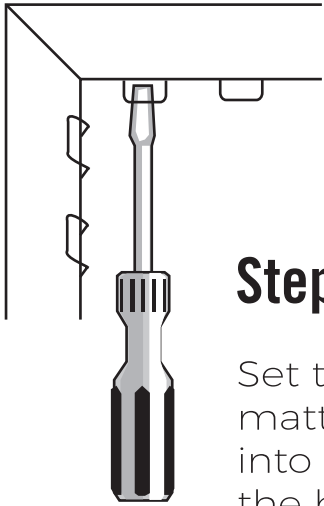


FIT WOOD FRAMES

How to assemble a frame project into a wood ready-made frame.

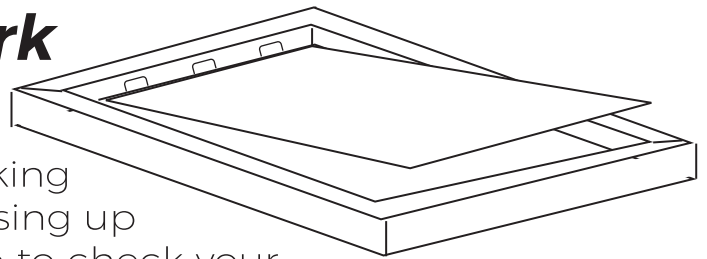
Step 1: Open & Prep Frame



Using a **screw driver**, bend all staples (or tab fasteners) upward--do not pull them out. Lift the backing board out of the frame, leaving the glass in place. The glass will usually need to be cleaned or at least dusted off.

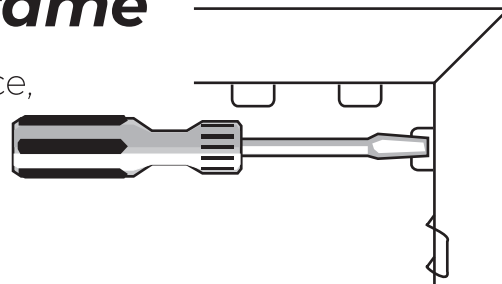
Step 2: Set Artwork

Set the artwork (with matting, if used) and backing into the frame. Before closing up the back, lift the frame up to check your artwork from the front. This is the best time to inspect the front for trapped dust on the glass.

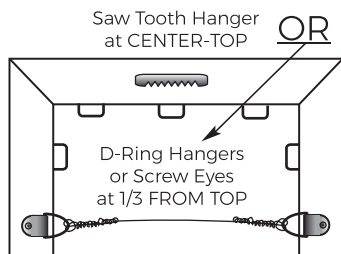


Step 3: Close Up Frame

With all of the materials in place, bend staples (or tab fasteners) back to their original position to hold everything in place.



WOOD FRAME HANGERS



≤ 8"x10" Attach a Saw Tooth hanger to the center at top with a **hammer**.

≥ 8"x10" Use D-Ring hangers or Screw Eyes and wire, approximately 1/3 of the way from the top. Screw on the hardware, wire through each ring and pull taut. Secure the wire by twisting loose end around wire by 2"-3".

For heavier pieces or mirrors, screw on D-Ring hangers with no wire. This is best to distribute the weight of the piece and because wires can stretch and snap over time.



Visit us online for how to videos & more @
www.CheapPetes.com

CP PHOTOS
& FRAMES